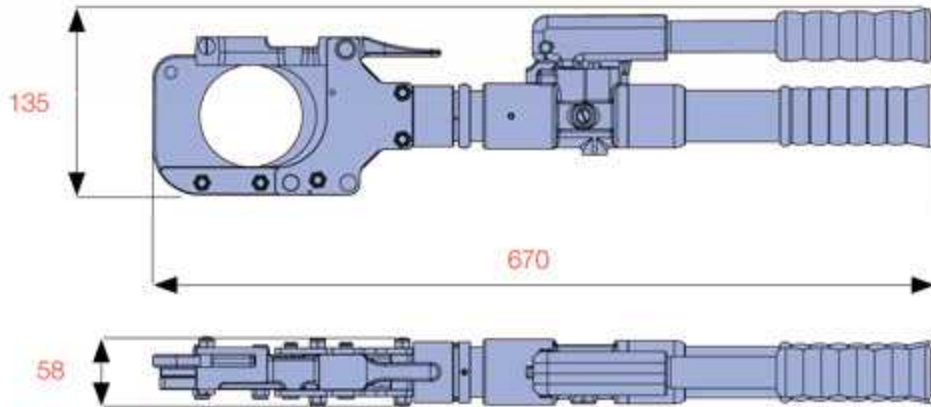
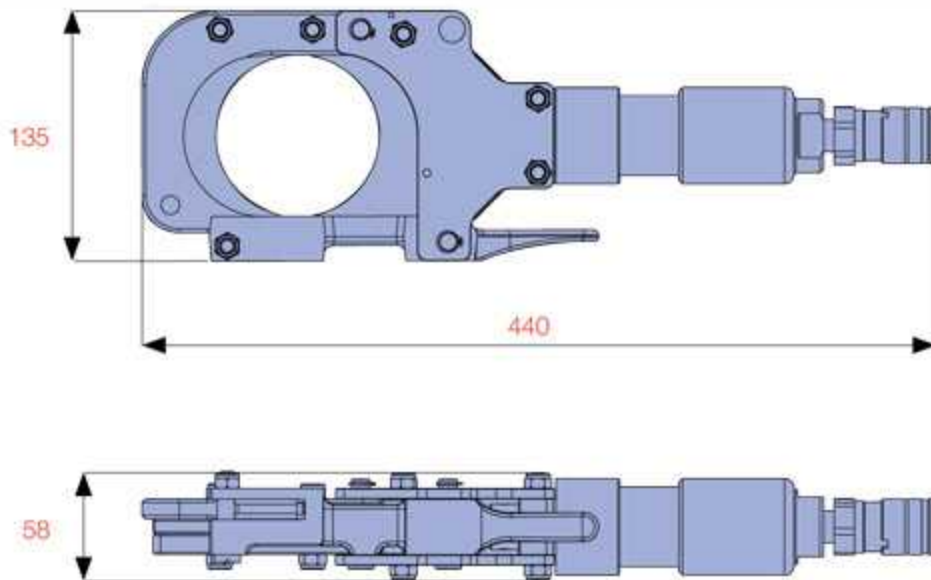




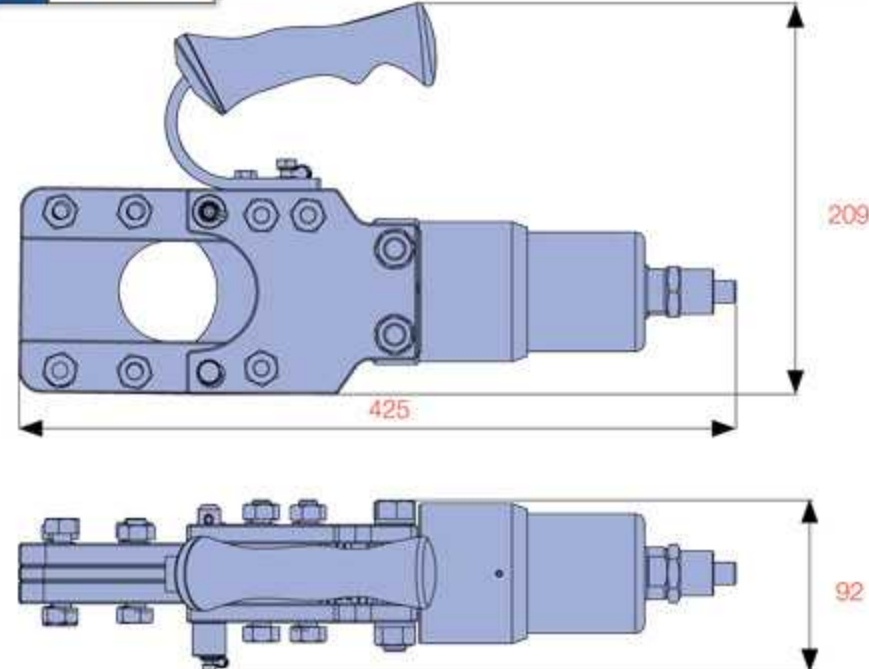
HC-85S



HC-85R



HC-55R



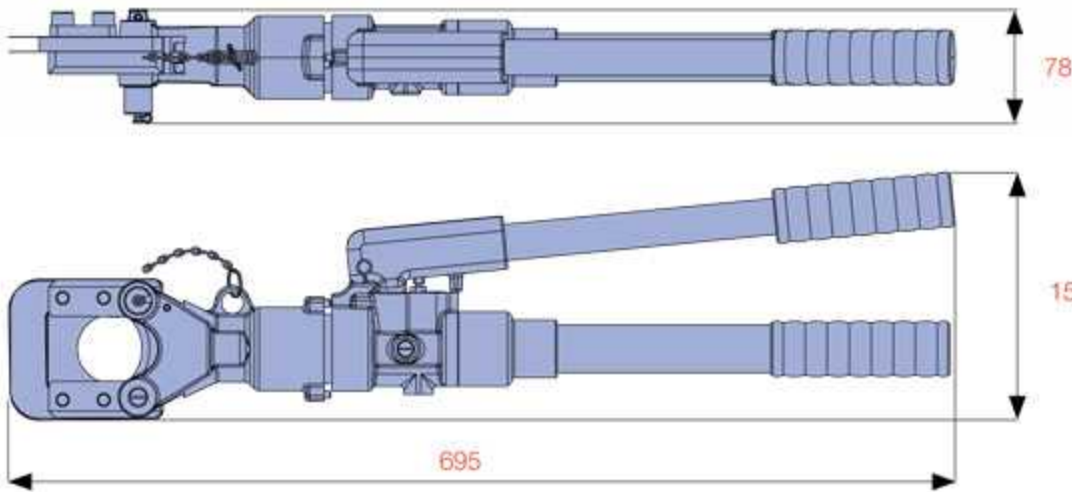
THE **HC-SERIES** OF REMOTE AND SELF-CONTAINED HYDRAULIC CUTTERS CONSISTS OF SIX MODELS WITH A CUTTING CAPACITY UP TO 120 MM DIAMETER.

They cut with ease through cable, round bar, wire rope, wire strand and more. They are a proven performer in the electrical, railway, mining, manufacturing and construction industries. The HC Series Cutters feature superior guillotine-type cutting, flip-top latch for easy insertion of cutting material and blades that are easily replaceable. The two larger self-contained models incorporate a two stage pump. All models are spring return and the self-contained models have a 180° rotating head. The remote models can be operated by a 700 bar single acting hydraulic pump or power unit. They are compact, lightweight, easy to use and are supplied in a heavy duty canvas carry bag.

Model No.	Operation	Wire Rope			Soft Steel Bar (mm)	Reinforcing Rod (mm)	Copper Cable (mm)	Aluminium Cable (mm)	ACSR (mm)
		6x7 (mm)	6x12 (mm)	6x19 (mm)					
HC-24S	Self-contained	18	24	24	20	16	24	24	24
HC-45S	Self-contained	22	25	25	20	16	45	45	45
HC-55R	Remote	25	30	30	22	19	50	50	50
HC-85R	Remote	-	-	-	-	-	85	85	-
HC-85S	Self-contained	-	-	-	-	-	85	85	-
HC-120R	Remote	-	-	-	-	-	120	120	-



**HC-45S**



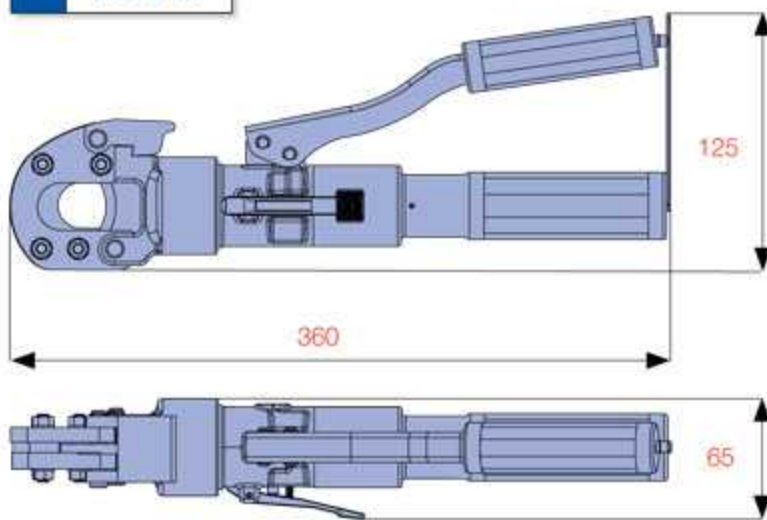
CUTTING CAPACITY UP TO  
**120 mm diam.**

OPERATION  
**Remote & Self-Contained**

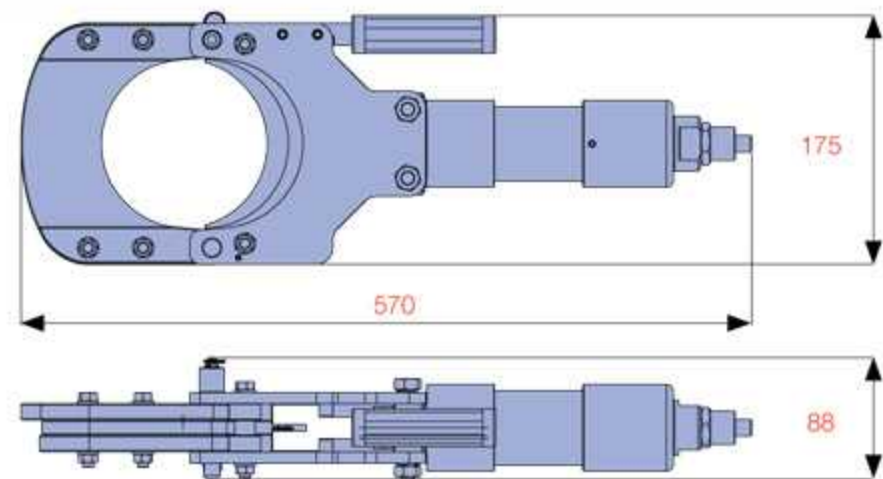
MAXIMUM OPERATING PRESSURE  
**700 bar**



**HC-24S**



**HC-120R**



Guy Wire		CCP Cable (mm)	Max. Pressure (bar)	Oil Required (cc)	Max. Output (ton)	Cylinder Stroke (mm)	Weight (kg)
1x7 (mm)	1x19 (mm)						
16	16	-	700	56	6.7	28.0	4.0
16	20	-	700	145	10.0	50.0	7.0
16	20	-	700	106	14.9	55.6	9.0
-	-	85	700	73	5.6	90.8	5.1
-	-	85	700	168	5.6	90.8	9.0
-	-	120	700	193	10.6	129.6	10.0